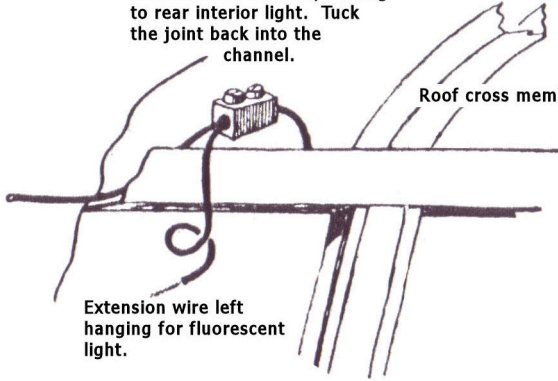


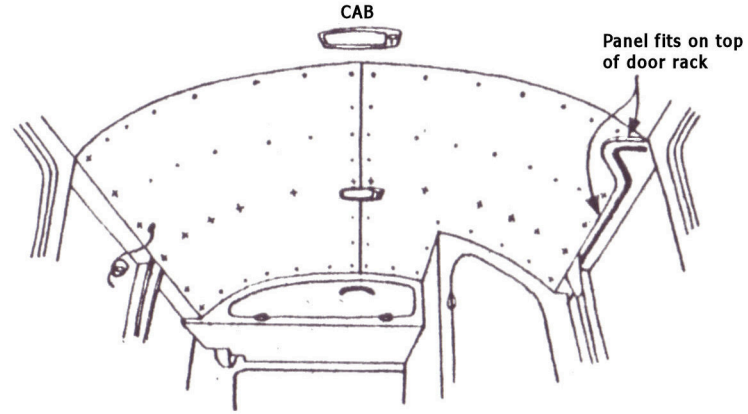
Make connection into existing wire in metal channel, leading to rear interior light. Tuck the joint back into the channel.

Roof cross member

Extension wire left hanging for fluorescent light.



METHOD OF FIXING EXTENSION WIRE INTO EXISTING CIRCUIT FOR FLUORESCENT LIGHT.



CEILING CONSTRUCTION, STAGE 2. Roof panels in place, nailed to wooden bearers (· ·) and self-tapped to metal ribs (+).

Fibreglass glued to all ceiling panels for insulation

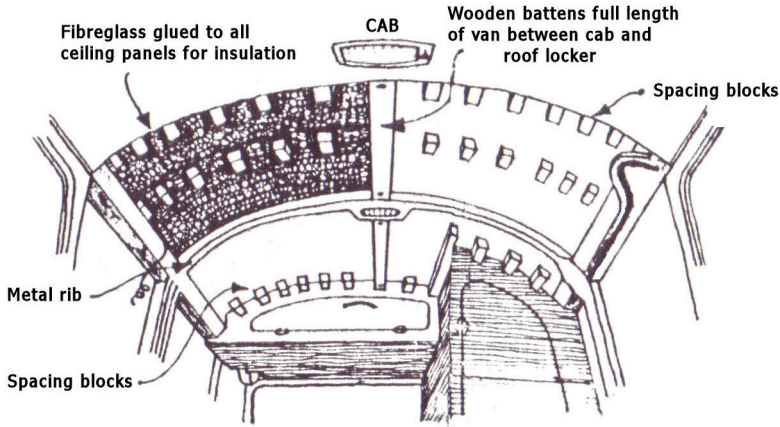
CAB

Wooden battens full length of van between cab and roof locker

Spacing blocks

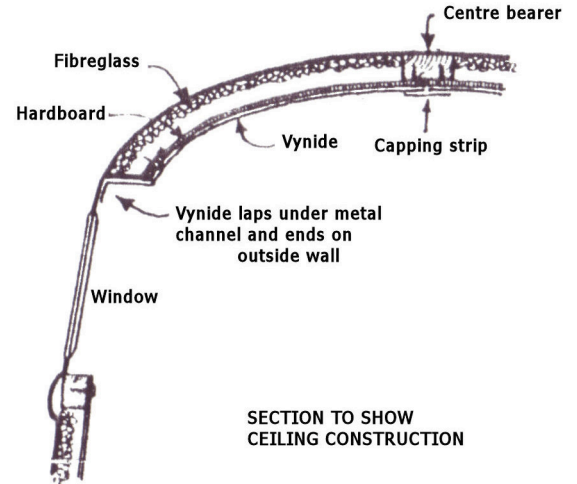
Metal rib

Spacing blocks



CEILING CONSTRUCTION, STAGE 1.

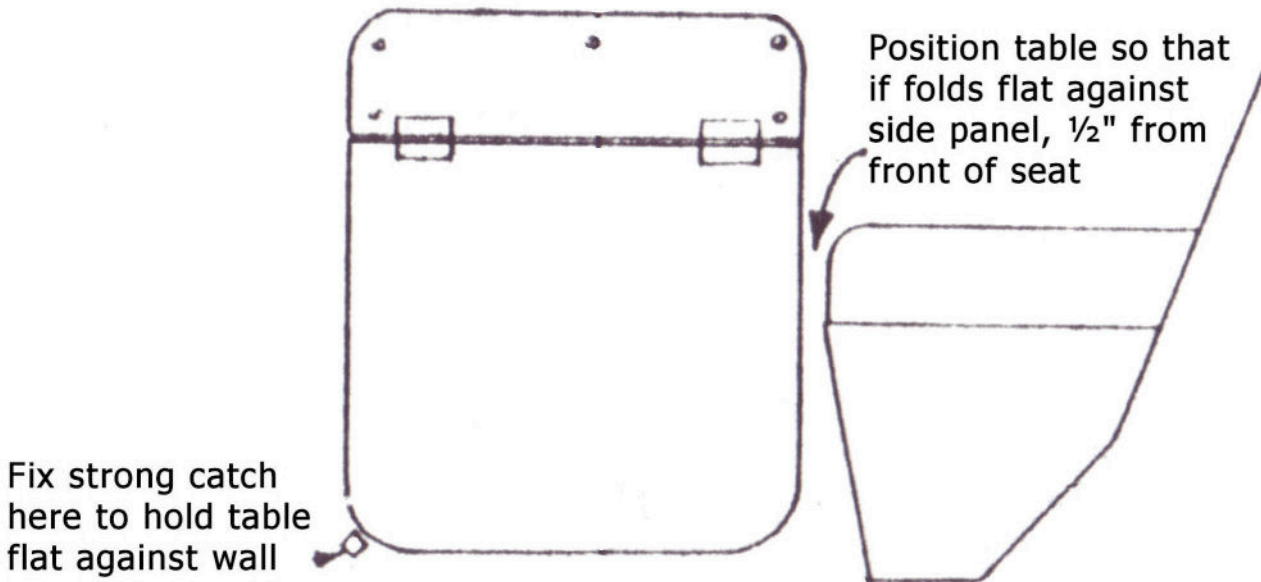
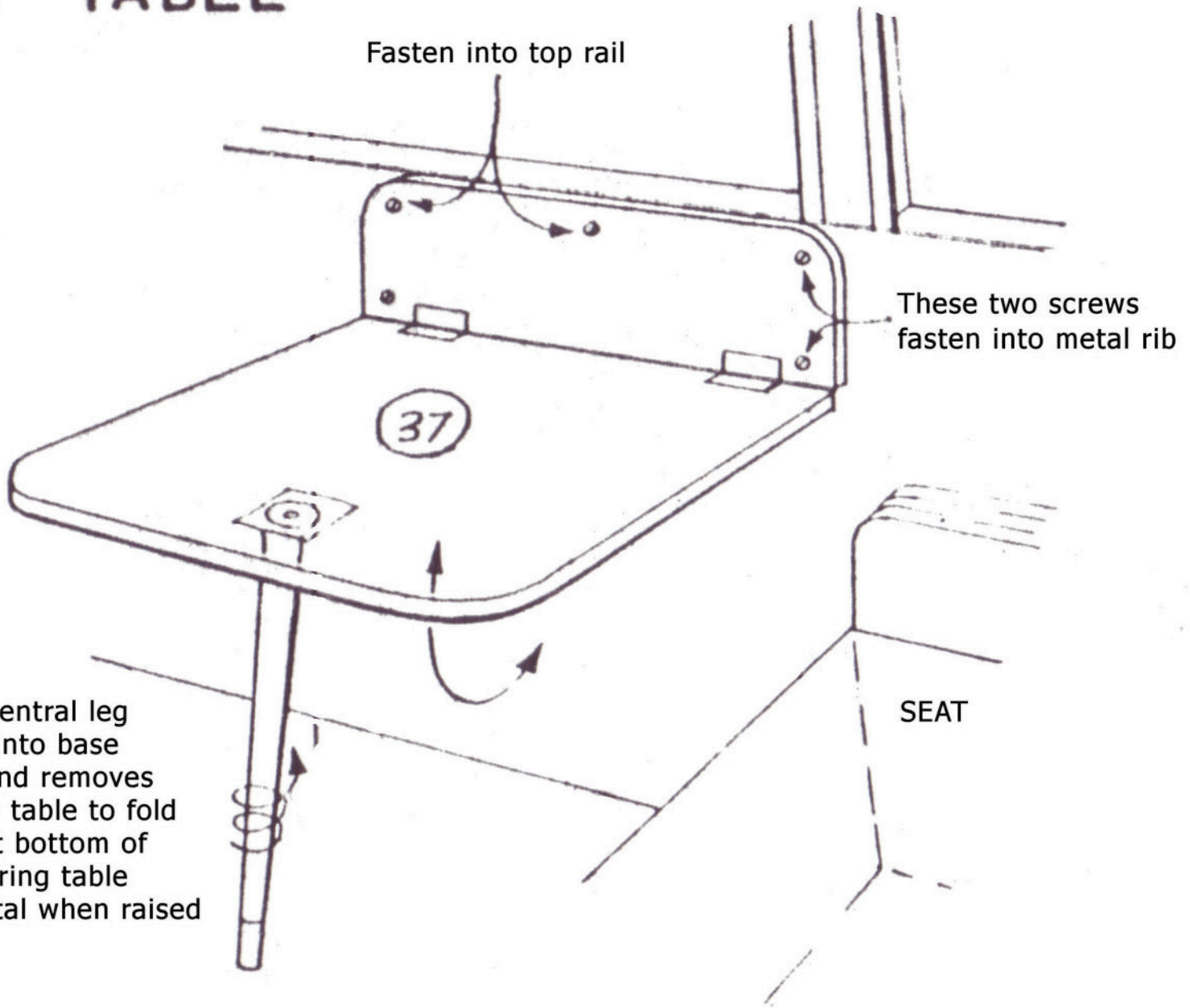
Wooden blocks glued to metal roof to support ceiling panels and then insulation material applied.



SECTION TO SHOW CEILING CONSTRUCTION

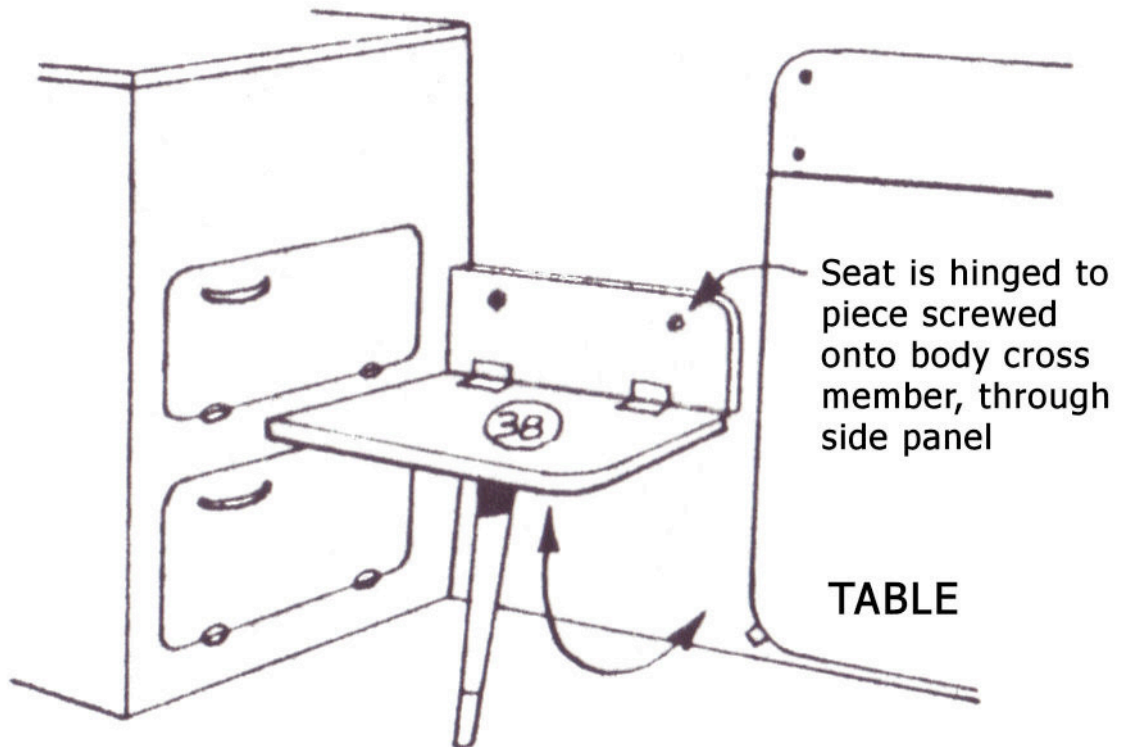
10

TABLE



II

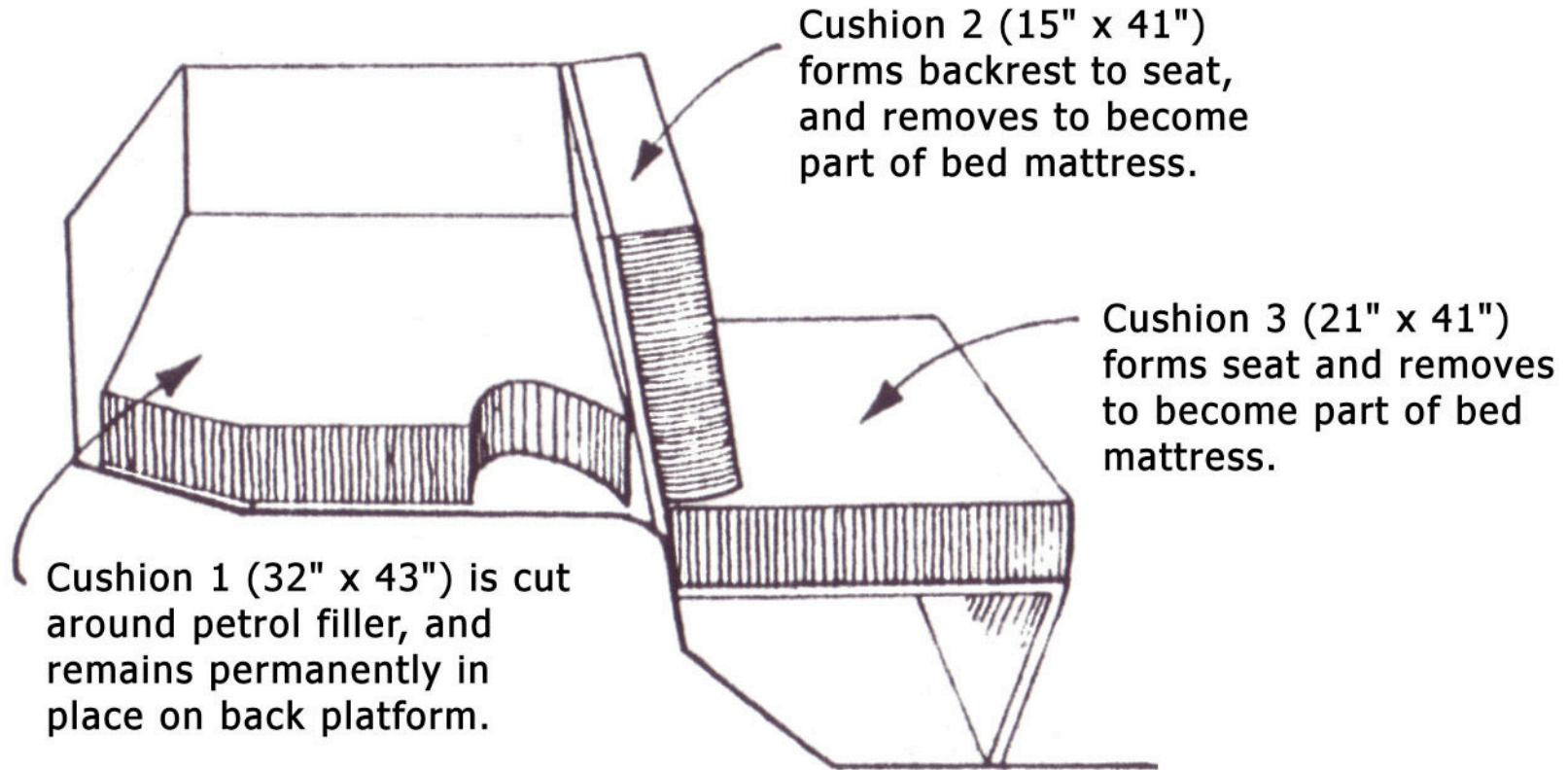
EXTRA SEAT



Third seat folds flat against side panel, and is supported by short screw-in leg. Top may be covered in Vynide to match side panel if desired. When raised the seat is so positioned to permit both cupboard doors to be opened.

12

CUSHIONS



The cushions are made from 3" or 4" deep foam rubber, covered in a hard wearing fabric to suit your chosen colour scheme. If foam rubber cannot be obtained in these sizes, use several of the square pieces generally available - these may be Evosticked together and trimmed to size. Cushions 2 and 3 may be secured in place with flush mounting press studs.

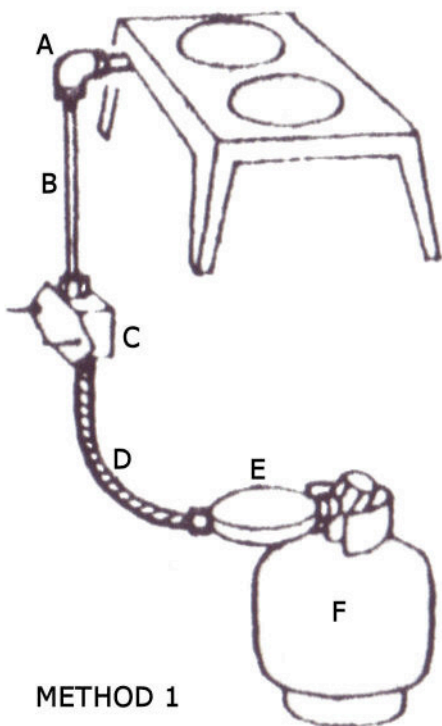
13

EXTRA TRIMMINGS

1. The side and rear doors are panelled in hard-board covered with vynide, similar to offside panel, fastenned with self-tappers and cup-washers. The spaces behind are, of course, insulated with fibreglass beforehand.
2. A drop-down flap can be provided on the outside of the cooker unit as shown in the general arrangement sketch at top. Fine chain holds it horizontal, and when not required is unhooked to allow the flap to fold away. Washing, from a plastic bowl, is best from such a flap.
3. The table, pieces (5), (25) and (35) may be covered in Fablon in a contrasting light shade, for easier cleaning, and any edges trimmed with plastic edging
4. Shelving may be fitted into any of the cupboards to suit your individual needs. The use to which we put the cupboards is shown on the general arrangement sketch.

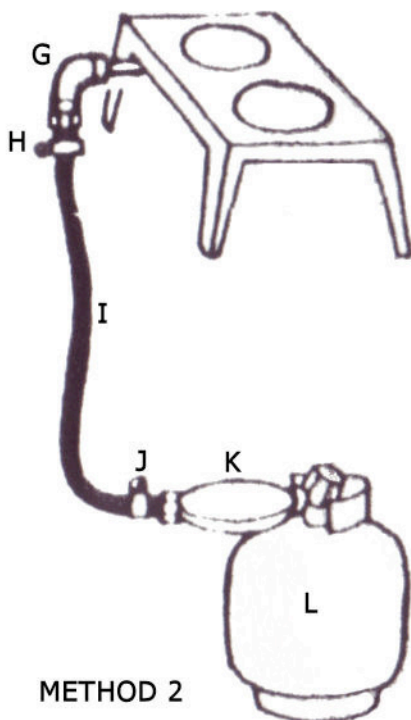
14

GAS INSTALLATION



METHOD 1

Right angled elbow 'A' screws onto cooker outlet. Copper pipe 'B' connects to Calor Manifold Wall Block 'C', which is screwed onto metal back of cupboard. The manifold's flexible connector 'D' couples to Regulator 'E' on Gas Bottle 'F'



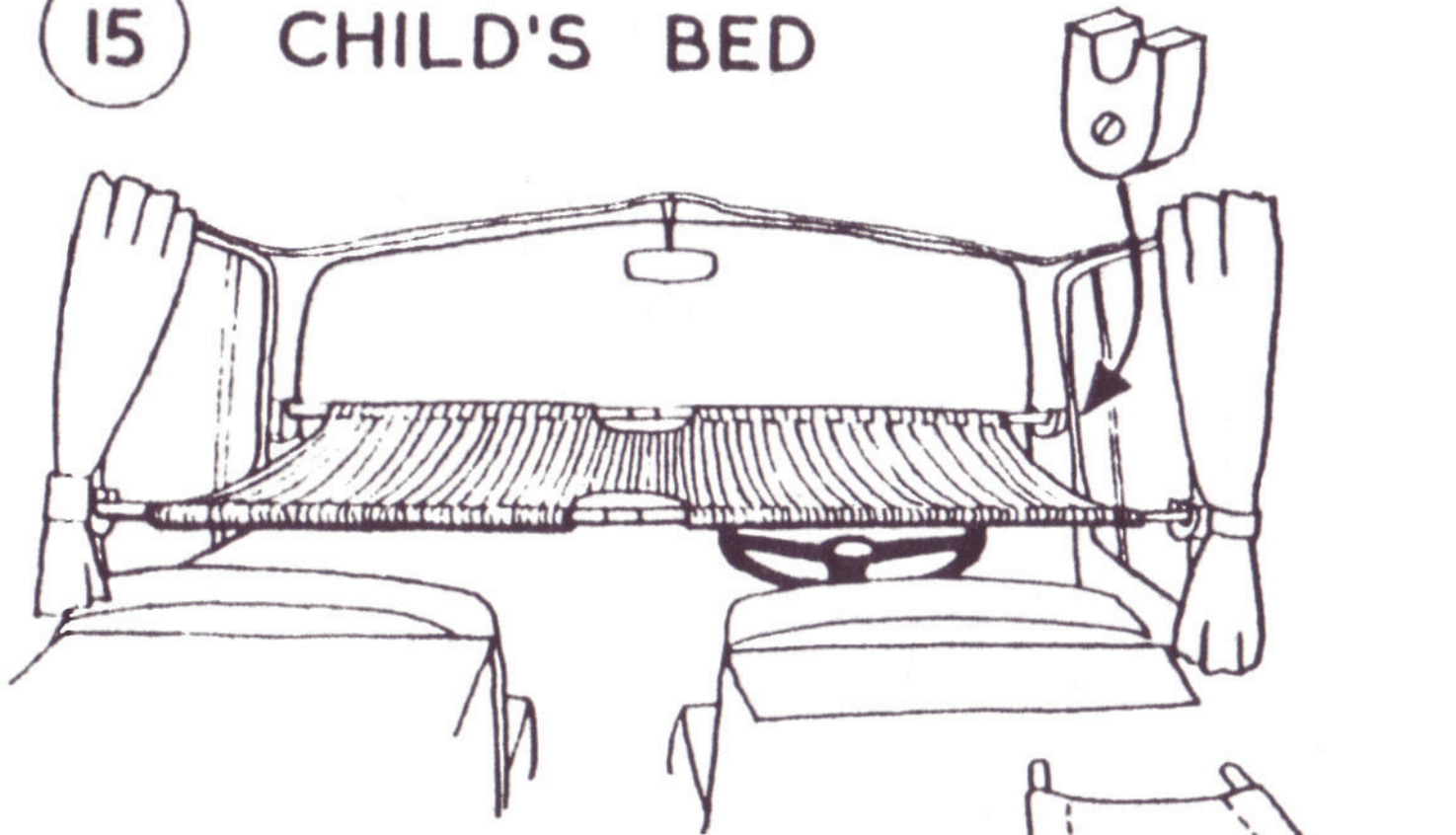
METHOD 2

Right angled elbow 'G' screws onto cooker outlet. Push-on Nozzle 'H' screws into 'G', and takes Calor Rubber Tubing 'I' which connects to Nozzle 'J' on Regulator 'K'. Tubing must be clamped to Nozzle H and J with hose-clips.

NOTE Calor Gas Ltd. recommend the more permanent installation as Method 1. All screw-in joints to be bonded with 'Calorite Jointing Compound'. If you have any doubts about your installation consult your local Calor Gas dealer.

15

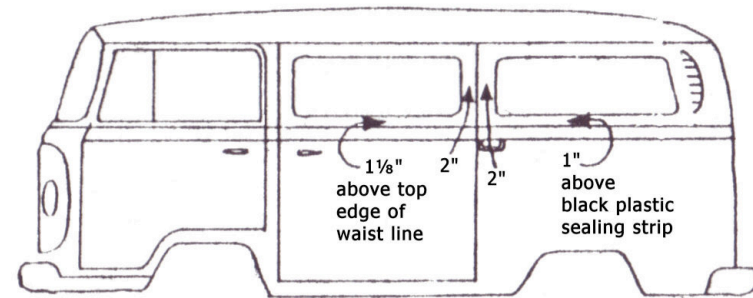
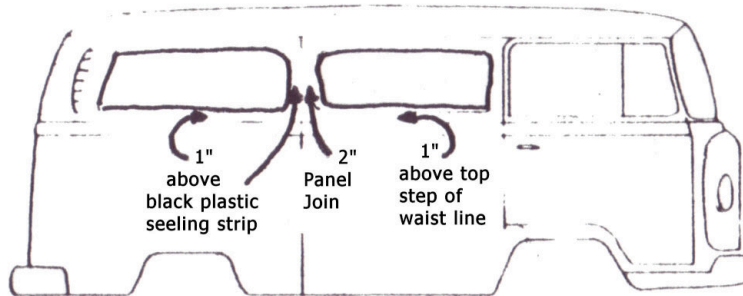
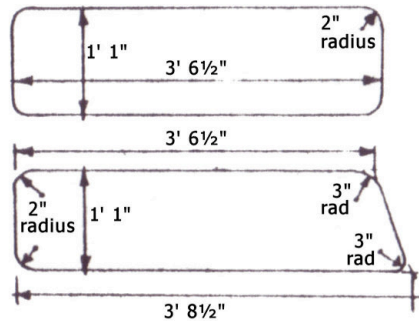
CHILD'S BED



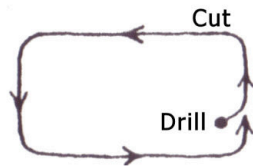
A child's stretcher bed can be accommodated above the steering wheel across the cab. Four blockboard brackets are shaped and fastened to the body-pillars to support both ends of the two side-poles. Use stout canvas for the hammock; 2-pieces tent poles make good side-poles because they can be parted in the middle to permit the bed to fold in half and roll up for easy storage.

An extra curtain can be run across the roof join to convert the cab into a self-contained "bedroom", allowing movement and lights in the rear compartment without disturbing the child in bed.

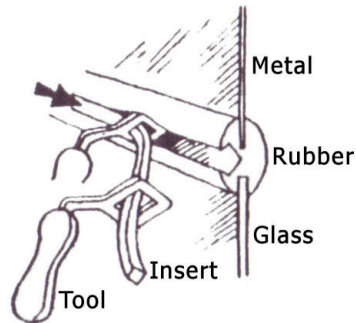
WINDOWS



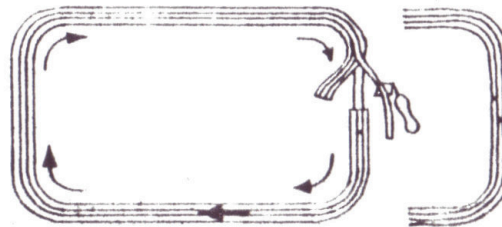
4 pieces of toughened safety glass (flat) are required, 2 of each size as shown on the left. Make card or paper template $3/16$ " bigger all round (i.e. $5/8$ " bigger overall), and draw around templates on van sides in positions shown. Working from outside of van cut the holes and insert the glass. Cut outer skin of door first and peel panel off inner-skin, breaking spot-welds gently with hammer and cold chisel; inner skin can then be marked out to corresponding shape and cut out. This can safely be removed without weakening the structure of the sliding door in any way.



Drill just inside the line, then cut around inside of line using a Monodex Cutting Tool or power jigsaw. Cut through horizontal bearers inside with a hacksaw blade. Remove remaining portions of bearers with hammer and chisel - they're only spot welded in place.



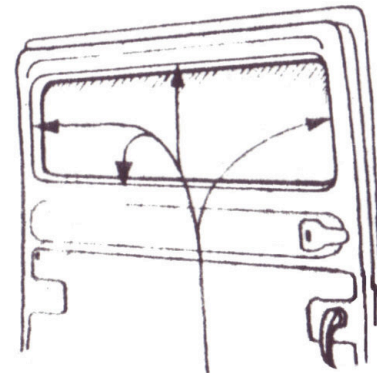
Section showing the interlocking action of the rubber window strip and tool for inserting locking strip.



Cut edging over-length, fix until near join then trim end to make an exact butt joint. Ease the tool very gently round corners.

If you use the plasticised chrome filler strip, use a hair-drier about 4" away from point of insertion to soften filler and rubber for easier working.

Make joints at side of window to reduce the possibility of leakage. Overlap the insert over the joint.



After inserting the windows trim all remaining metalwork with Vynide.

In the door, fill the gaps between outer and inner skins with 1" battens fastened by fine screws through the metal of the inner skin. Glue curved pieces into the corners to follow the window curves.

17

CURTAINS

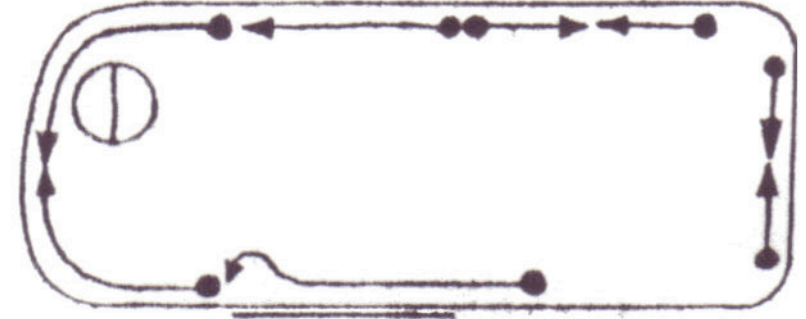
'Silent Gliss' Curtain track is fastened along the offside forward of piece ⑦, and right around the cab (bridging the central driving mirror). On the nearside it runs from piece ③ over the sliding door track and follows the loop at the forward end of the track so that the curtains will fall clear.

The curtain track runs along the lower edge of the roof panels, except beneath piece ② where it is fixed to the underside of the roof locker.

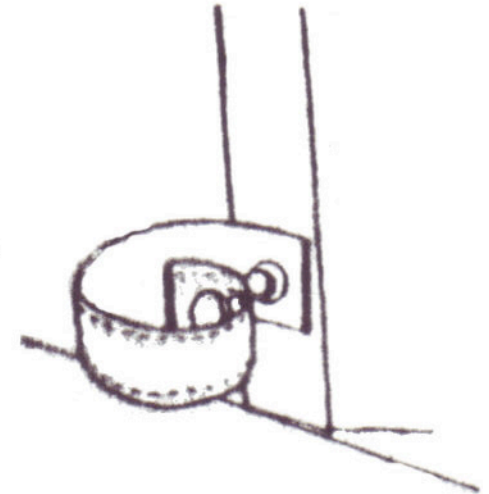
On the rear door the curtains are on expanded curtain wire fastened to the door itself - the hooks engaging on self-tapping screws at each end of the wire.

Curtains fall 2" below waist rail to give full coverage. Expanded curtain wire can be used to hold the bottoms of the curtains close to the side.

Curtain citings and coverage

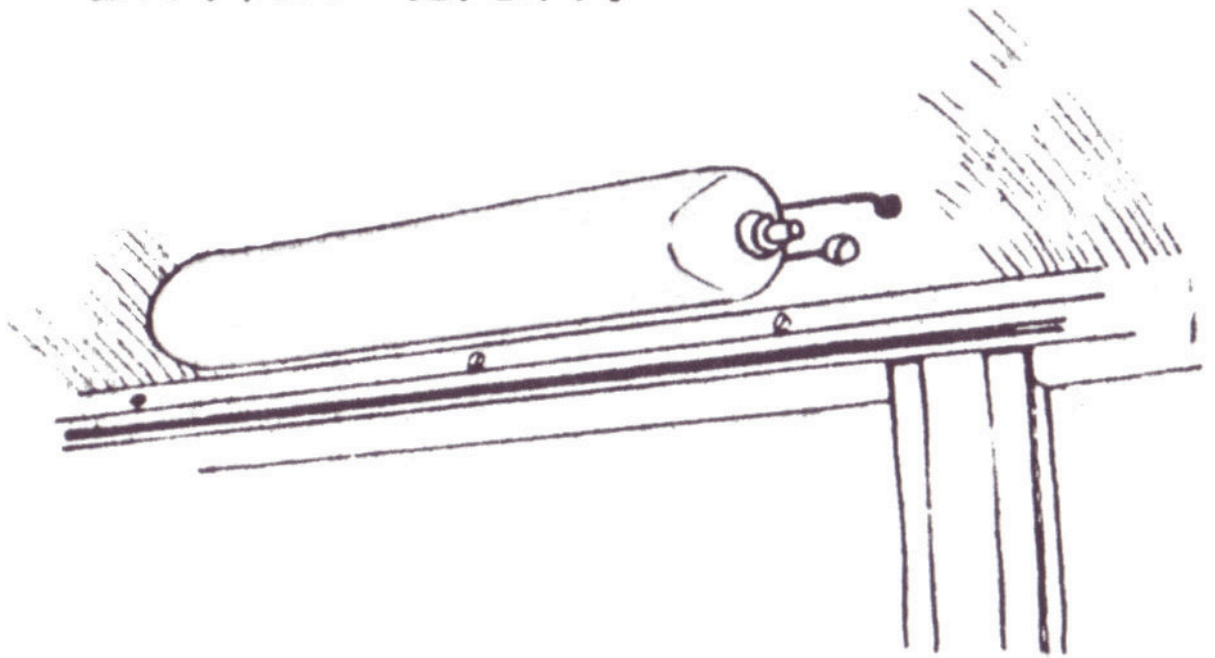


Curtains are held back when folded in strips of matching material incorporating Flush-mounting press-studs - the base self-tapped to body, the top on the other end of the cloth strip.



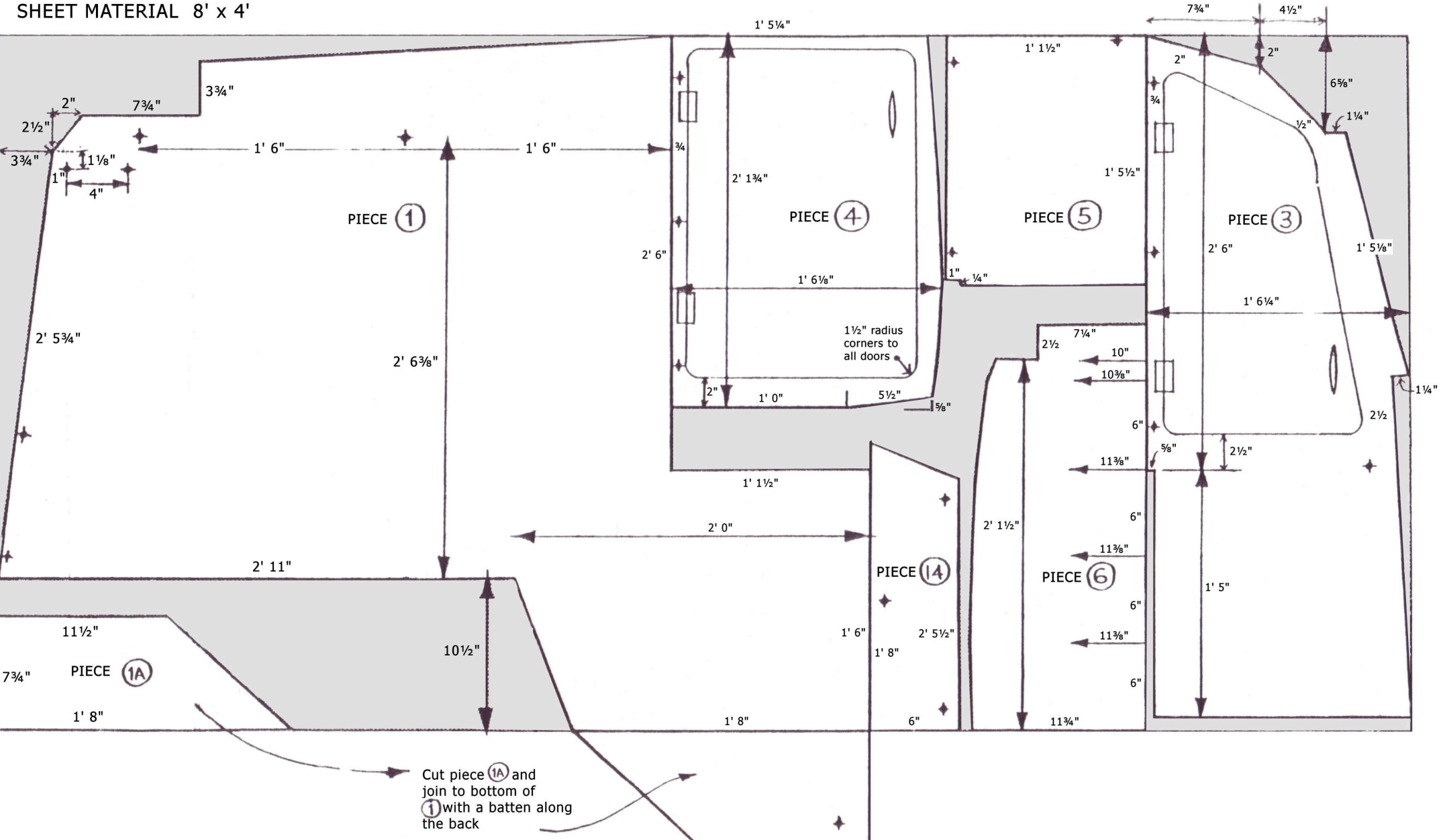
18

EXTRA LIGHT

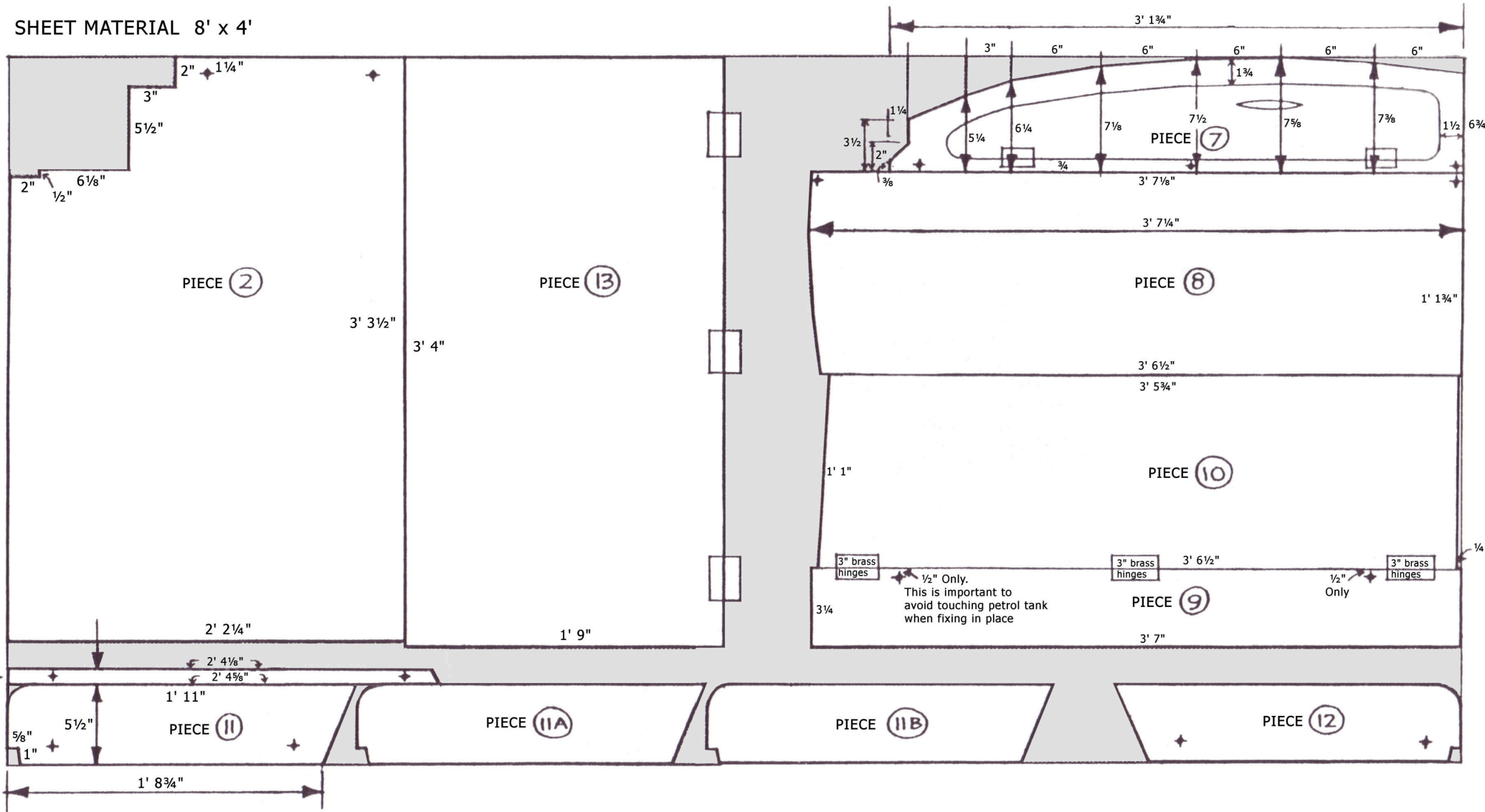


A 12" Fluorescent light is best mounted centrally over the table above the curtain track. The base plate is fastened to the roof panel. The red wire joins to the extension wire protruding from the ceiling wire. The black wire is fastened to a self-tapping screw through the roof panel into the metal channel beneath, thus completing the circuit to earth.

SHEET MATERIAL 8' x 4'



SHEET MATERIAL 8' x 4'



SHEET MATERIAL 8' x 4'

